

SPECIFICATION DATA

FlexVu® Explosion-Proof Universal Display Unit Model UD10



DESCRIPTION

The FlexVu® Model UD10 is recommended for applications that require a gas detector with digital readout of detected gas levels as well as analog 4–20 mA output with HART, relay contacts, and Modbus RS485. The UD10 is designed for use with Det-Tronics gas detectors such as GT3000, PIR9400, PIRECL, PIRECL CO₂, C706x*, CTX10/CGS, CGS**, ATX10/AV10, PIRDUCT, or LS2000, as well as generic linear 4–20 mA sensors. The display unit is designed and approved as a “stand alone” device and performs all the functions of a gas controller.

Gas concentration and unit of measurement are indicated on a digital display. The display unit provides a linear isolated/non-isolated 4–20 mA DC output signal (with HART) that corresponds to the detected gas concentration.

All electronics are enclosed in an explosion-proof aluminum or stainless steel housing. The display unit is used with a single detector that may be either coupled directly to the UD10, or remotely located using a sensor termination box. The UD10 features non-intrusive calibration. A magnet is used to perform calibration as well as to navigate the UD10's internal menu.

The UD10 can be used with various 4–20 mA gas detection devices, with or without HART. The unit provides display, output, and control capabilities for the gas detector.

The UD10 utilizes the following I/O:

Signal Inputs:	4–20 mA loop from the sensing device
User Inputs:	Magnetic switches (4) on the display panel HART communication
Signal Outputs:	4–20 mA output loop with HART Modbus RS485 Three alarm relays and one fault relay
Visible Outputs:	Backlit LCD display HART slave interface via HART Communicator

FEATURES AND BENEFITS

- ▲ Universal design supports multiple Det-Tronics sensors or generic linear 4–20 mA sensors
- ▲ Local digital LCD display continuously indicates gas level, gas type, and units measured
- ▲ Backlit and heated display
- ▲ Non-intrusive calibration quickly performed by one person
- ▲ Rugged construction approved for use in classified hazardous areas
- ▲ Linear isolated/non-isolated 4–20 mA output with HART
- ▲ Non-intrusive menu allows device configuration without de-classifying the hazardous area
- ▲ Internal magnetic switches provide a non-intrusive user interface
- ▲ Smart capabilities with access to sensor information and measurement range
- ▲ Event logs: Calibration with date and time stamp
- ▲ Fault logs: Detector fault, Low power, and General fault
- ▲ Alarm logs: High gas alarm, Low gas alarm, and Aux alarm
- ▲ SIL2 models certified to IEC61508 by exida®

* C7065E O₂ detector is not supported.

** Requires the use of a CGS Interface Board. See Instruction Manual 95-8661 for details.



SPECIFICATIONS

Operating Voltage 24 Vdc nominal, operating range is 18 to 30 Vdc.

Operating Power Standard model, with heater and backlight off:
 No alarm: 1.5 watts @ 24 Vdc.
 Alarm: 3 watts @ 24 Vdc (20 mA current output and all 3 alarm relays energized).
 Backlight on: 0.5 watt additional.
 Heater on: 3.5 watts additional.
 CGS model: Add 4 watts with CGS interface board and CGS sensor installed.

Maximum power in alarm, with heater and backlight on:
 7 watts @ 30 Vdc (Standard model)
 11 watts @ 30 Vdc (CGS model)

NOTES:

- Heater turns on when the internal temperature drops below -10°C. Heater function can be disabled to save power.
- Appropriate relays will be activated when a fault or alarm occurs.

Current Output Linear isolated 4-20 mA output with HART.
 Maximum loop resistance 600 ohms at 18 to 30 Vdc.

Relay Contacts

Three Alarm Relays:
 Form C, 5 amperes at 30 Vdc.
 Selectable energized/de-energized.
 Selectable latching/non-latching.

One Fault Relay:
 Form C, 5 amperes at 30 Vdc.
 Normally energized for no fault condition with power applied.

Operating Temperature -55°C to +75°C.

Storage Temperature -55°C to +75°C.

Humidity Range 5 to 95% RH (Det-Tronics verified).

Wiring Terminals 14 to 18 AWG, 2.5-0.75 mm² wire can be used.

Conduit Entries 3/4" NPT or M25.

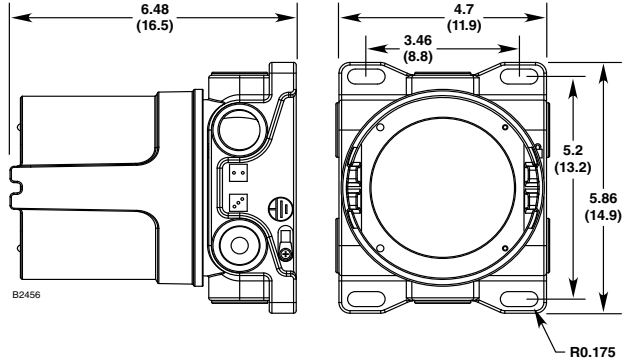
Enclosure Material Epoxy coated aluminum or 316 stainless steel.

Shipping Weight Aluminum: 4.15 pounds (1.88 kilograms).
 Stainless Steel: 10.5 pounds (4.76 kilograms).

Warranty Find warranty information by clicking on the Terms and Conditions section of the Det-Tronics Resources page:
<https://www.det-tronics.com/resourcetypes>

Electro-Magnetic Compatibility EMC Directive 2014/30/EU
 EN 50270:2015
 EN 61000-6-2:2005
 EN 61000-6-4:2007

Dimensions Dimensions shown in inches (centimeters).



Certification



FM: Class I, Div. 1, Groups B, C & D (T5);
 Class I, Div. 2, Groups B, C & D (T4);
 Class I, Zone 1/2 AEx d IIC (T5);
 Class II/III, Div. 1/2, Groups E, F & G.
 Tamb -50°C* to +75°C
 NEMA/Type 4X, IP66
 Conduit seal not required.

Performance verified in accordance with:
 FM 6320:2018; FM 6325:2005;
 ANSI/ISA-92.0.01:1998;
 ANSI/ISA-92.00.01:2010;
 ANSI/ISA 60079-29-1 (12.13.01):2013



CSA: CSA 2029512.
 Class I, Div. 1, Groups B, C & D (T5);
 Class I, Div. 2, Groups B, C & D (T4);
 Class II/III, Div. 1/2, Groups E, F & G.
 (Tamb = -55°C to +75°C)
 Type 4X
 Conduit seal not required.
 Performance verified in accordance with:
 CSA C22.2 #152.



ATEX: 0539 II 2 G
 UL21ATEX2385X
 Ex db IIC T6 Gb EN 60079-29-1
 Ex tb IIC T90°C Db EN 60079-29-1
 (without integral CGS)
 Ta = -55°C to +75°C IP66
 Ex db IIC T5 Gb EN 60079-29-1
 Ta = -40°C to +75°C (with integral CGS) IP53



IECEx: IECExJUL21.0016X
 Ex db IIC T6 Gb IEC 60079-29-1
 Ex tb IIC T90°C Db IEC 60079-29-1
 (without integral CGS)
 Ta = -55°C to +75°C IP66
 Ex db IIC T5 Gb IEC 60079-29-1
 Ta = -40°C to +75°C (with integral CGS) IP53
 Performance verified in accordance with:
 IEC 60079-29-1:2016 and IEC 60079-29-4:2009

SIL: All safety certified UD10 models are SIL2 certified per IEC61508.

*UD10 hazardous location and performance testing was successfully completed down to -55°C. However, the FM approved rating is limited to -50°C because there are no conduit fittings, cables, or cable glands that are presently listed for use below -50°C in the U.S. FM approvals policy does not allow product temperature ratings to exceed required installation components (such as conduit seals). The user must ensure that conduit fittings, cables, cable glands, etc., are rated for the expected minimum ambient temperature of the installation.

Refer to Instruction Manual 95-8661 for in-depth information regarding the FlexVu UD10 Universal Display Unit.



Corporate Office
 6901 West 110th Street
 Minneapolis, MN 55438 USA
www.det-tronics.com

Phone: +1 952.941.5665
 Toll-free: +1 800.765.3473
 Fax: 952.829.8750
det-tronics@carrier.com

