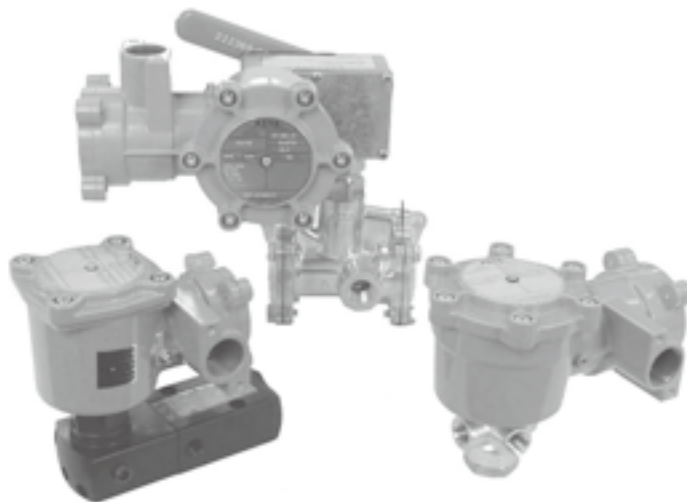




Flameproof Solenoid Valve
JE Series
with TIIS / NEPSI / KCs Mark Certification



ASCO Japan Co.,Ltd.

**JE series
OPERATORS**

Flameproof Construction (Ex d IIC T4 Ex d IIB T4)

JE solenoid Model : JE2, JE3

Constuction

- Housing : Aluminium, anodized
- Core, core tube, spring and plugnut : Steel, stainless steel, copper, silver
- Nameplate : Aluminium or stainless steel
- Coil connection : Screw terminals (Terminal block)
- Wiring conduit connection : Threaded conduit type; G1/2
- Safety code : NEPSI Ex d IIC T4
KCs Mark Ex d IIB T4
- Protection : IP65



Electrical Characteristics

Standard voltages

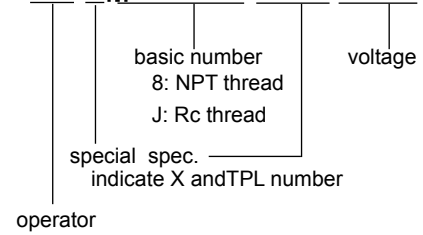
- DC (=) : 12 - 24 - 100 - 120 - 125 V
- AC (~) : 100 - 110 - 200 - 220 V / 50 or 60 Hz ※1

Coil - Power consumption - Ambient temperature ※2

Solenoid type	Coil size	Insulation class ※3	Watt Rating	Ambient temperature (°C)	
				NEPSI	KCs Mark
AC (~)					
JE2	M6	F	6.0 9.0	-20 ~ 50	-
JE2	M6	H	6.0 9.0	-20 ~ 60	-
JE3	MXX	F	10.5 16.7	-20 ~ 50	-20 ~ 50
JE3	MXX	H	10.5 16.7	-20 ~ 60	-
JE3	M12	F	15.4 20.0	-	-20 ~ 50
JE3	M12	F	15.3 ※4	-20 ~ 60	-
DC (=)					
JE2	M6	F	9.7	-20 ~ 50	-
JE2	M6	H	9.7	-20 ~ 60	-
JE3	MXX	F	11.2	-20 ~ 50	-20 ~ 50
JE3	MXX	H	11.2	-20 ~ 60	-
JE3	M12	F	16.8	-	-20 ~ 50
JE3	M12	H	16.8	-20 ~ 60	-

Ordering Information

e.g.) JE3 X 8320G174 19209 DC24



When you place an order, please specify the need for the products with NEPSI / KCs Mark certifications.

- ※ 1.AC100V/60Hz and all of 50Hz for JE3 MXX coil are NOT certified for KCs Mark.
- ※ 2.Values of the ambient temperature are for JE solenoids. For the max.ambient temperature of the whole valves, consult ASCO.
- ※ 3.If you need class H coil, please specify so when you place an order.
- ※ 4.full-wave rectification (327 series)

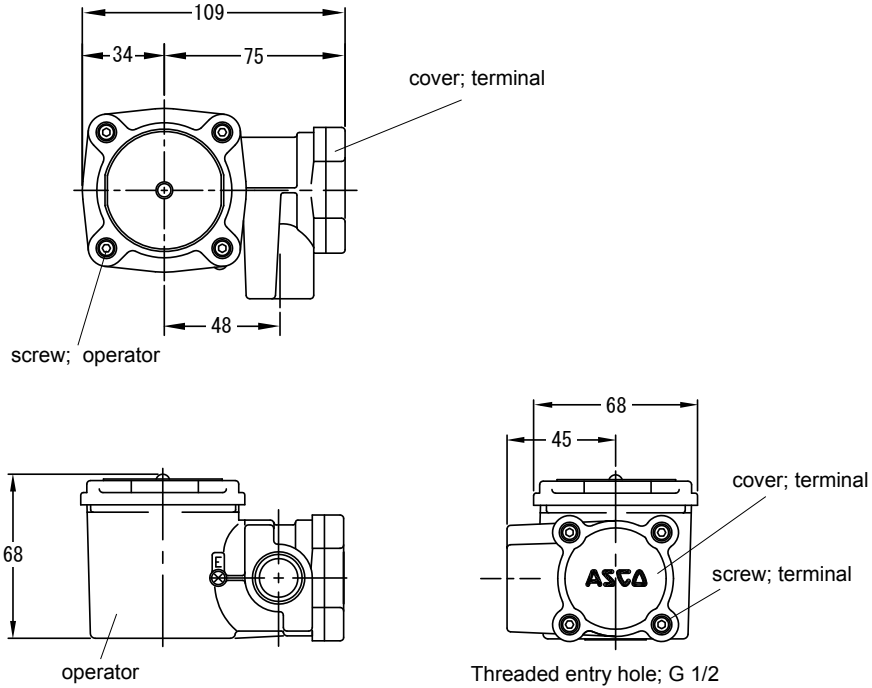
Manual reset type

Solenoid type	Operation	Coil size	Insulation class	Watt rating		Ambient temperature (°C)	
				AC	DC	NEPSI	KCs Mark
JE3	No voltage release Free handle	M12	H	15.4	16.8	-20 ~ 60	-20 ~ 60
JE3	Electrically tripped	M12	H	15.4	16.8	-20 ~ 60	-

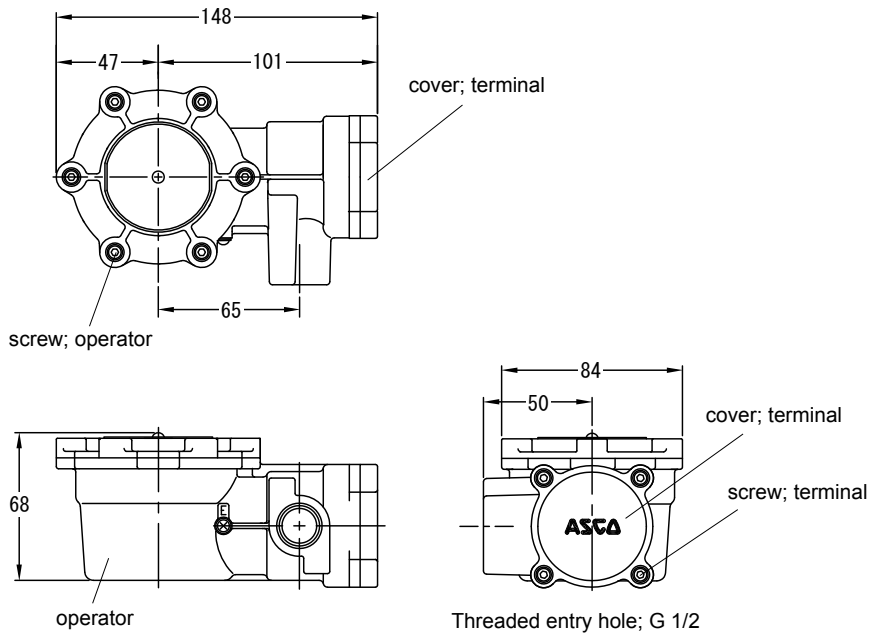
JE series OPERATORS

Dimensions: (mm)

JE2
Threaded conduit type



JE3
Threaded conduit type



For dimensions of the whole valves, consult ASCO.

**JE series
SOLENOID VALVES**

2 Way Compact JE 262 / JE 263 series

Operation	Pipe size (NPT / Rc)	Cv flow factor	Body Material
Direct acting	1/8 ~ 3/8	0.06 ~ 0.96	Brass / Stainless steel



Specifications The items below are just examples and a variety of valves are available.

Type	Pipe size	Orifice size (mm)	Cv flow factor	Operating pressure differential (MPa)								Watt rating		Catalog number	NEPSI TPL number 19209	KCs Mark TPL number 19281
				Min.	Max.											
					Air / Inert gas		water		Oil							
					AC	DC	AC	DC	AC	DC	AC	DC				
NC	1/8	3.2	0.34	0	1.07	0.55	1.24	0.55	0.97	0.55	6.0	9.7	JE2(X)8262G2	○	—	
NC	1/4	2.4	0.17	0	3.45	-	3.45	-	1.93	-	9.0	-	JE2(X)8262G21	○	—	
NC	1/4	3.2	0.35	0	2.07	0.52	2.07	0.48	1.38	0.48	10.5	11.2	JE3(X)8262G232	○	○	
NO	1/8	3.2	0.21	0	0.86	0.55	0.69	0.41	0.59	0.35	6.0	9.7	JE2(X)8262G31	○	—	
NO	1/4	3.2	0.35	0	1.03	0.55	0.76	0.41	0.69	0.41	15.4	16.8	JE3(X)8262G262	○	—	

For more information, consult ASCO.

2 Way JE 210 series

Operation	Pipe size (NPT / Rc)	Cv flow factor	Body material
Internally piloted	3/8 ~ 2 1/2	1.5 ~ 45	Brass / Stainless steel



Specifications The items below are just examples and a variety of valves are available.

Type	Pipe size	Orifice size (mm)	Cv flow factor	Operating pressure differential (MPa)								Watt rating		Catalog number	NEPSI TPL number 19209	KCs Mark TPL number 19281
				Min.	Max.											
					Air / Inert gas		water		Oil							
					AC	DC	AC	DC	AC	DC	AC	DC				
NC	3/8	16	3.0	0	0.86	0.28	0.86	0.28	-	-	10.5	11.2	JE3(X)8210G93	○	○	
NC	1/2	16	4.0	0	0.86	0.28	0.86	0.28	-	-	10.5	11.2	JE3(X)8210G94	○	○	
NC	3/4	19	5.0	0	0.86	0.28	0.86	0.28	-	-	10.5	11.2	JE3(X)8210G95	○	○	
NO	1/2	16	4.0	0	0.86	0.86	0.86	0.86	0.86	0.55	15.4	16.8	JE3(X)8210G34	○	—	
NO	3/4	19	5.5	0	0.86	0.86	0.86	0.86	0.86	0.55	15.4	16.8	JE3(X)8210G35	○	—	

For more information, consult ASCO.

2 Way Low Pressure High Flow JE 215 series

Operation	Pipe size (NPT / Rc)	Cv flow factor	Body material
Internally piloted	3/8 ~ 2	3.2 ~ 60	Aluminium



Specifications The items below are just examples and a variety of valves are available.

Type	Pipe size	Orifice size (mm)	Cv flow factor	Operating pressure differential (MPa)								Watt rating		Catalog number	NEPSI TPL number 19209	KCs Mark TPL number 19281
				Min.	Max.											
					Air / Inert gas		water		Oil							
					AC	DC	AC	DC	AC	DC	AC	DC				
NC	1/2	19	4.4	0	0.35	0.17	-	-	-	-	10.5	11.2	JE3(X)8215G20	○	○	
NC	3/4	19	5.1	0	0.35	0.17	-	-	-	-	10.5	11.2	JE3(X)8215G30	○	○	
NC	1	41	21	0	0.17	-	-	-	-	-	15.4	-	JE3(X)8215B50	—	○	
NO	1/2	19	4.0	0	0.86	0.86	-	-	-	-	15.4	16.8	JE3(X)8215G23	○	—	
NO	3/4	19	4.6	0	0.86	0.86	-	-	-	-	15.4	16.8	JE3(X)8215G33	○	—	

For more information, consult ASCO.

**JE series
SOLENOID VALVES**

2 Way High Pressure JE 223 series



Operation	Pipe size (NPT)	Cv flow factor	Body Material
Internally piloted	1/4 ~ 3/4	1.5 ~ 7.8	Brass/Stainless steel

Specifications The items below are just examples and a variety of valves are available.

Type	Pipe size	Orifice size (mm)	Cv flow factor	Operating pressure differential (MPa)						Watt rating		Catalog number	NEPSI TPL number 19209	KCs Mark TPL number 19281	
				Min.	Max.										
					Air / Inert gas		water		Oil		AC				DC
NC	3/8	8	1.5	0.069	9.35	3.45	10.3	3.45	10.3	3.45	16.7	16.8	JE3(X)8223G27	AC only	○
NC	1/2	10	3.2	0.17	9.35	3.45	10.3	3.45	10.3	3.45	16.7	16.8	JE3(X)8223G3	AC only	○

For more information, consult ASCO.

3Way Compact JE 320 series



Operation	Pipe size (NPT / Rc)	Cv flow factor	Body Material
Direct acting	1/8 ~ 3/8	0.06 ~ 0.53	Brass/Stainless steel

Specifications The items below are just examples and a variety of valves are available.

Type	Pipe size	Orifice size (mm)	Cv flow factor	Operating pressure differential (MPa)						Watt rating		Catalog number	NEPSI TPL number 19209	KCs Mark TPL number 19281	
				Min.	Max.										
					Air / Inert gas		water		Oil		AC				DC
U	1/4	1.6	0.09	0	0.86	0.52	0.90	0.52	0.90	0.52	10.5	11.2	JE3(X)8320G172	○	○
U	1/4	2.4	0.12	0	0.69	0.41	0.69	0.41	0.69	0.41	16.7	11.2	JE3(X)8320G174	○	○
U	1/4	3.2	0.25	0	0.35	0.17	0.35	0.17	0.35	0.17	16.7	11.2	JE3(X)8320G176	○	○
NC	1/4	2.4	0.12	0	1.03	0.79	1.03	0.79	1.03	0.79	10.5	11.2	JE3(X)8320G184	○	○
NC	1/4	3.2	0.25	0	0.59	0.41	0.59	0.41	0.59	0.41	10.5	11.2	JE3(X)8320G186	○	○
NO	1/4	2.4	0.12	0	0.97	0.69	0.97	0.69	0.97	0.69	10.5	11.2	JE3(X)8320G194	○	○
NO	1/4	3.2	0.25	0	0.48	0.38	0.48	0.38	0.48	0.38	10.5	11.2	JE3(X)8320G196	○	○

For more information, consult ASCO.

3Way Quick Exhaust JE 321 series



Operation	Pipe size (NPT / Rc)	Cv flow factor	Body Material
Internally piloted	1/4 ~ 3/8	0.8	Brass

Specifications

Type	Pipe size	Orifice size (mm)	Cv flow factor	Operating pressure differential (MPa)						Watt rating		Catalog number	NEPSI TPL number 19209	KCs Mark TPL number 19281	
				Min.	Max.										
					Air / Inert gas		water		Oil		AC				DC
NC	1/4	7	0.8	0.069	1.38	1.38	1.38	1.38	1.38	1.38	6.0	9.7	JE2(X)8321G1	○	—
NC	1/4	7	0.8	0.069	1.38	1.38	1.38	1.38	1.38	1.38	10.5	11.2	JE3(X)8321G1	—	○
NC	3/8	7	0.8	0.069	1.38	1.38	1.38	1.38	1.38	1.38	6.0	9.7	JE2(X)8321G2	○	—
NC	3/8	7	0.8	0.069	1.38	1.38	1.38	1.38	1.38	1.38	10.5	11.2	JE3(X)8321G2	—	○
NO	1/4	7	0.8	0.069	1.38	1.38	1.38	1.38	1.38	1.38	6.0	9.7	JE2(X)8321G3	○	—
NO	1/4	7	0.8	0.069	1.38	1.38	1.38	1.38	1.38	1.38	10.5	11.2	JE3(X)8321G3	—	○
NO	3/8	7	0.8	0.069	1.38	1.38	1.38	1.38	1.38	1.38	6.0	9.7	JE2(X)8321G4	○	—
NO	3/8	7	0.8	0.069	1.38	1.38	1.38	1.38	1.38	1.38	10.5	11.2	JE3(X)8321G4	—	○

For more information, consult ASCO.

JE series
SOLENOID VALVES

3 Way High Flow Piloted JE 316 series



Operation	Pipe size (NPT / Rc)	Cv flow factor	Body Material
Internally piloted	3/8 ~ 1	2.5 ~ 12.5	Brass

Specifications The items below are just examples and a variety of valves are available.

Type	Pipe size	Orifice size (mm)	Cv flow factor	Operating pressure differential (MPa)								Watt rating		Catalog number	NEPSI TPL number 19209	KCs Mark TPL number 19281
				Min.	Max.											
					Air / Inert gas		water		Oil							
					AC	DC	AC	DC	AC	DC	AC	DC				
NC	1/2	16	3.2	0.069	0.86	0.86	0.86	0.86	-	-	6.0	9.7	JE2(X)8316G64	○	-	
NC	1/2	16	3.2	0.069	1.72	1.72	1.72	1.72	-	-	16.7	16.8	JE3(X)8316G24	-	○	
NC	3/4	17	4.8	0.069	0.86	0.86	0.86	0.86	-	-	6.0	9.7	JE2(X)8316G74	○	-	
NC	3/4	17	4.8	0.069	1.72	1.72	1.72	1.72	-	-	16.7	16.8	JE3(X)8316G44	-	○	
NO	1/2	16	3.2	0.069	0.86	0.86	0.86	0.86	-	-	6.0	9.7	JE2(X)8316G66	○	-	
NO	1/2	16	3.2	0.069	1.72	1.72	1.72	1.72	-	-	16.7	16.8	JE3(X)8316G26	-	○	
NO	3/4	17	4.8	0.069	0.86	0.86	0.86	0.86	-	-	6.0	9.7	JE2(X)8316G76	○	-	
NO	3/4	17	4.8	0.069	1.72	1.72	1.72	1.72	-	-	16.7	16.8	JE3(X)8316G46	-	○	

For more information, consult ASCO.

3 Way High Flow Direct acting JE 327 series



Operation	Pipe size (NPT / Rc)	Cv flow factor	Body Material
Direct acting	1/4	0.52	Brass/Stainless steel

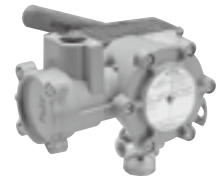
Specifications

Type	Pipe size	Orifice size (mm)	Cv flow factor	Operating pressure differential (MPa)								Watt rating		Catalog number	NEPSI TPL number 19209	KCs Mark TPL number 19281
				Min.	Max.											
					Air / Inert gas		water		Oil							
					AC	DC	AC	DC	AC	DC	AC	DC				
U	1/4	5.7	0.52	0	1.0	1.0	1.0	1.0	1.0	1.0	15.3	16.8	JE3(X)8327A1V	○※ 1	DC only	

※ 1. Only class H coil is available.

For more information, consult ASCO.

3 WAY Manual Reset JE 308 series



Operation	Pipe size (NPT / Rc)	Cv flow factor	Body Material
No Voltage Release / Electrically tripped	1/4 ~ 1	0.21 ~ 13	Brass/Stainless steel

Specifications The items below are just examples and a variety of valves are available.

Type	Pipe size	Orifice size (mm)	Cv flow factor	Operating pressure differential (MPa)				Watt rating		Catalog number		NEPSI TPL number 19209	KCs Mark TPL number 19281
				Min.	Max.								
					Air / Inert gas, water								
					AC	DC	AC	DC	No Voltage Release	Electrically tripped			
U	1/4	4	0.38	0	0.86	0.86	15.4	16.8	JE3(X)8308D40	JE3(X)8310D40	○	※ 2	
NC	3/8	16	3.0	0.069	1.72	1.72	15.4	16.8	JE3(X)8308D41F	JE3(X)8310D41F	○	※ 2	
NO	3/8	16	3.0	0.069	1.72	1.72	15.4	16.8	JE3(X)8308D41G	JE3(X)8310D41G	○	※ 2	

※ 2. Only no voltage release type is available for AC and DC.

2 WAY 4WAY Solenoid valve and Free Handle types are available.

For more information, consult ASCO.

JE series
SOLENOID VALVES

4 Way Wide Range Flow Rates JE 344 series

Operation	Pipe size (NPT / Rc)	Cv flow factor	Body Material
Internally piloted	1/4 ~ 1	0.8 ~ 5.2	Brass

Specifications The items below are just examples and a variety of valves are available.

Type	Pipe size	Orifice size (mm)	Cv flow factor	Operating pressure differential (MPa)								Watt rating		Catalog number	NEPSI TPL number 19209	KCs Mark TPL number 19281
				Min. ※ 1	Max.						AC					
					Air / Inert gas		water		Oil							
					AC	DC	AC	DC	AC	DC						
Single	3/8	10	1.4	0.069	0.86	0.86	-	-	0.86	0.86	10.5	11.2	JE3(X)8344G72	○	○	
Single	1/2	10	1.4	0.069	0.86	0.86	-	-	0.86	0.86	10.5	11.2	JE3(X)8344G74	○	○	
Dual	3/8	10	1.4	0.069	1.72	0.86	-	-	0.86	0.69	6.0	9.7	JE2(X)8344G80	○	-	
Dual	1/2	10	1.4	0.069	1.72	0.86	-	-	0.86	0.69	6.0	9.7	JE2(X)8344G82	○	-	

※ 1. Minimum operating pressure for light oil service: 0.17MPa
For more information, consult ASCO.

4 WAY JE 551 series

Operation	Pipe size (Rc)	Cv flow factor	Body Material
Internally piloted	1/4 ※ 2	0.7 / 0.87	Aluminum



Specifications

Type	Pipe size	Orifice size (mm)	Cv flow factor	Operating pressure differential (MPa)								Watt rating		Catalog number	NEPSI TPL number 19209	KCs Mark TPL number 19281
				Min.	Max.						AC					
					Air / Inert gas		water		Oil							
					AC	DC	AC	DC	AC	DC						
IN-LINE																
Single	1/4	6	0.87	0.2	1.0	1.0	-	-	-	-	6.0	9.7	JE2(X)J551B417MO	○	-	
Single	1/4	6	0.87	0.2	1.0	1.0	-	-	-	-	10.5	11.2	JE3(X)J551B417MO	-	○	
Dual	1/4	6	0.87	0.2	1.0	1.0	-	-	-	-	6.0	9.7	JE2(X)J551B418MO	○	-	
Dual	1/4	6	0.87	0.2	1.0	1.0	-	-	-	-	10.5	11.2	JE3(X)J551B418MO	-	○	
NAMUR																
Single	1/4	6	0.7	0.2	1.0	1.0	-	-	-	-	6.0	9.7	JE2(X)J551B401MO	○	-	
Single	1/4	6	0.7	0.2	1.0	1.0	-	-	-	-	10.5	11.2	JE3(X)J551B401MO	-	○	
Dual	1/4	6	0.7	0.2	1.0	1.0	-	-	-	-	6.0	9.7	JE2(X)J551B402MO	○	-	
Dual	1/4	6	0.7	0.2	1.0	1.0	-	-	-	-	10.5	11.2	JE3(X)J551B402MO	-	○	

※ 2. For NPT Pipe thread type, consult ASCO
For more information, consult ASCO.

ASCO Japan Co.,Ltd URL=<http://www.ascojp.co.jp>

〒 663-8202

1-20 Takahata-cho, Nishinomiya, Hyogo, Japan

TEL:0798-65-6361

ASCO
numatics™

FAX:0798-65-6364

LEAF-2013MAY-ENKOSHA D