

Put Yourself In A Better Position

TopWorx™ TXP With Optimum Use Of Space

The TopWorx™ T-Series TXP is suitable for intrinsically safe, flameproof, explosion proof, non-incendive, or general purpose applications. It carries global certifications including ATEX, IECEx, UL, INMETRO, EAC and CE mark and offers competitive features and flexibility at significant cost savings.

TXP Switch Boxes deliver outstanding value by providing full functionality in a compact, direct-mount enclosures. The TXP unique mounting design enables simple attachment to any ISO/NAMUR actuator without the need for expensive mounting brackets. With a low profile design it offers optimum use of space.

Unique TwistSet™ cam design allows easy access and accurate step less setting of sensor position with minimum hysteresis. Color coded strikers enable quick identification of open/closed switches.

Approval Options:

Ex ia IIC T4 Tamb -50°C to 85°C IP66/67

Ex d IIB T4 Tamb -60°C to 80°C IP66/67

Ex d IIC T4 Tamb -60°C to 80°C IP66/67

Ex tb IIIC T135°C Tamb -50°C to 80°C IP66/67

Class I, Division 1, Groups C and D; Class II, Groups E, F and G, Type 4X

Class I, Division 2, Groups A, B, and D; Class II, Division 2, Groups F and G, Type 4X



EMERSON. CONSIDER IT SOLVED.™

Flameproof, Explosion Proof, Non-Incendive, General Purpose



TOPWORX

The TopWorx T-Series TXP



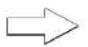
Features:

- Rugged aluminium enclosure, designed for mounting to NAMUR actuators
- Color-coded twist-set cams for easy sensor adjustment

Options:

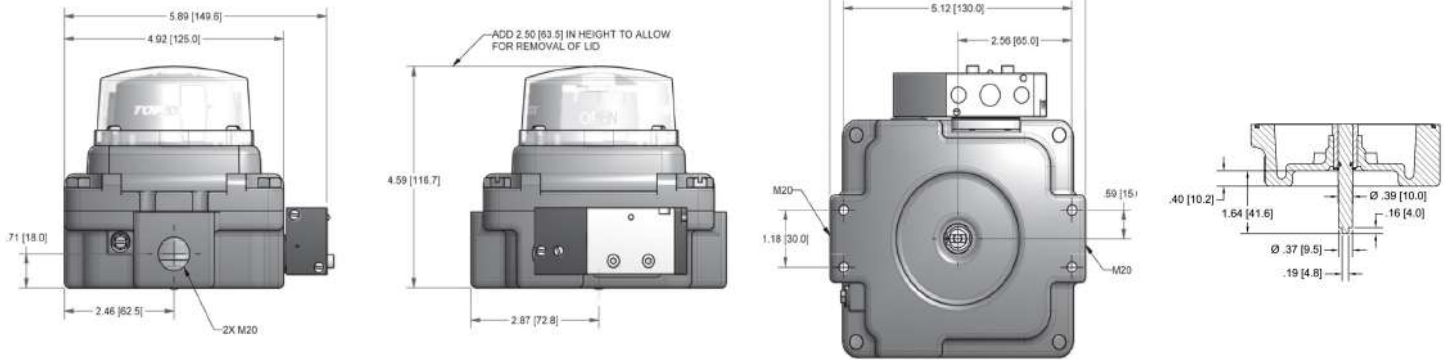
- AS-Interface 2.1
- Profibus™ DP
- GO™ Switch Proximity Sensor
- Mechanical, Inductive, and Proximity sensors



Enclosure	Bus/Sensor	Area Classification	Visual Display	Shaft	Conduit Entries
<p>TXP Tropicalized Aluminium</p>	<p>Bus Network AS AS-Interface (Area class cannot be 0)</p> <p>PB Profibus DP (Area class must be 1, C or W)</p> <p>Mechanical Switches (Area class cannot be 2) M2 (2)Mech SPDT M4 (4)Mech SPDT K2 (2)Mech SPDT gold contacts T2 (2) Mech DPDT (Not available with pilot)</p> <p>Proximity Switches R2 (2) SPDT 250mA max R4 (4) SPDT 250mA max P2 (2) SPDT 3mA max P4 (4) SPDT 3mA max</p> <p>GO Switches (hermetic seal) L2 (2) GO Switches SPDT hermetically sealed (No pilot valve)</p> <p>Inductive Sensors E2 (2) NJ2+V3-N inductive NAMUR</p> <p>Analog Output 0X 4-20 mA Transmitter with no switches</p> <p>Examples: AS = AS-I with "R" type reed switches AM = AS-I with "M" type mech switches</p>	<p>0 Intrinsically safe ATEX/IECEX Zone 1 II2GD Ex ia IIC Ex tb IIIC, IP66/67</p> <p>C Flame Proof ATEX/IECEX II2GD Ex d IIC Ex tb IIIC, IP66/67 (w/o pilot valve)</p> <p>1 Explosion Proof Cl I Div 1 Grps C,D Cl II Div 1 Grps E-G (NEC approvals w/o pilot valve) ATEX/IECEX Zone 1 II2GD Ex d IIB Ex tb IIIC, IP66/67</p> <p>2 Non-incendive Cl I Div 2 Grps A-D Cl II Div 2 Grps F&G (NEC approvals w/o pilot valve) ATEX II3GD (Not available with all sensing options) Ex nAnC IIC, IP66/67 Ex tb IIIC</p> <p>G General Purpose Type 4X</p> <p>W No approvals Type 4, 4x IP66/67</p>	 <p>G Standard 90° Green OPEN, Red CLOSED</p> <p>R Standard 90° Green CLOSED, Red OPEN</p> <p>B 90° Black OPEN, Yellow CLOSED</p> <p>F Flat-top with skirt indicator (Indicator not provided with L shaft option)</p> <p>Y 90° Yellow OPEN, Black CLOSED</p> <p>J 3 way, T Port, Green/Red</p> <p>K 3 Way L Port, Green/Red</p>	<p>N NAMUR 304 stainless steel</p> <p>L 1" Extended Linear Shaft (Visual Display F only)</p>	<p>P (2) 1/2" NPT</p> <p>M (2) M20</p> <p>E (2) 3/4" NPT (Not available with pilot valve)</p> <p>3 (4)M20 (Not available with pilot valve)</p> <p>4 (2) 3/4" NPT (2) 1/2" NPT (Not available with pilot valve)</p>
<p>Ordering Guide Fill in the boxes to create your 'ordering number'</p>					<p>See Next Column</p> 
<p>Enclosure TXP</p>	<p>Bus/Sensor — —</p>	<p>Area Classification —</p>	<p>Visual Display —</p>	<p>Shaft —</p>	<p>Conduit Entries —</p>

Discrete Valve Control

Dimensions



O-Rings	Pilot	Spool Valve	Valve Cv	Manual Override	Regional Certs
M Silicone	Blank No pilot device(s) 1 (1) 24 Vdc pilot, fail open/closed 1W (non I.S.) 0.7 W (I.S.) 7 (1) 110 3VA, fail open/closed 4 (1) 220 Vac pilot, 3VA, fail open/closed	Blank No Spool Valve A Aluminum Hard coat anodized 6 316 Stainless steel	Blank No Spool Valve 1 1.0 Cv (1/4" NPT Ports) 8 1.0 Cv (1/4" BSP Ports)	Blank No override 1 Single Pushbutton Momentary/Latching	Blank No Regional Cert N NEPSI R EAC B InMetro P Peso
O-Rings	Pilot	Spool Valve	Valve Cv	Manual Override	Regional Certs
—	—	—	—	—	—

Family of Products



GO™ SWITCH

Using a unique technology, GO Switch outperforms conventional limit switches and proximity sensors in the toughest applications. If your plant conditions are hot, cold, wet, dirty, abusive, corrosive, or explosive, be sure to specify GO Switch for a long, trouble-free life.



TopWorx™

TopWorx D-Series discrete valve controllers are certified for use in every world area. They carry IECEx, ATEX, UL, and CSA certifications in a single model, making it easier for global customers to standardize across plants in multiple world areas. Other certifications available include NEPSI, KOSHA, InMetro, and GOST. Valvetop D-Series discrete valve controllers can survive in virtually any plant condition. Their heavy-duty construction and corrosion resistance enable superior performance in the most demanding applications.



TopWorx T-Series switchboxes deliver outstanding value by providing full functionality in compact, direct-mount enclosures. Available with a variety of position sensors, integral solenoid valves, and bus networks, the T-Series is suitable for use in all hazardous areas and carry IECEx, ATEX, and CSA certifications.



TopWorx SIL-3 ESD Valve Controllers provide a complete Partial Stroke Test Solution with unique features and functionality that enable partial stroke testing of emergency shutdown valves without disrupting or shutting down the process.



WIRELESS

The TopWorx 4310 Wireless Position Monitor is a component of Emerson's Smart Wireless solutions for field instrumentation. Smart Wireless extends PlantWeb's predictive intelligence into areas that were previously out of physical or economic reach, opening the door for new possibilities in process management.



WIRELESS SAFETY SHOWER MONITORING SOLUTION

The TopWorx Wireless Safety Shower Monitoring Solution combines two 10 Series, latching GO Switches with a Rosemount 702 Wireless Transmitter that provide on/off indication, time stamping, and automated reporting functions for safety shower/eyewash stations.



VIP BRACKETS

With over 1,500 mounting kit designs, TopWorx products can be mounted on any rack-n-pinion, scotch-yoke, or vane actuator, quarter-turn manual valves, linear knifegate and control valves, and positioners.

GLOBAL SALES & SUPPORT OFFICES

Americas

3300 Fern Valley Road
Louisville, Kentucky 40213 USA
+1 502 969 8000
info.topworx@emerson.com

Europe

Horsfield Way
Bredbury Industrial Estate
Stockport SK6 2SU
United Kingdom
+44 0 161 406 5155
info.topworx@emerson.com

Middle East

P.O. Box 17033
Jebel Ali Free Zone
Dubai 17033
United Arab Emirates
+971 4 811 8283
info.topworx@emerson.com

Africa

24 Angus Crescent
Longmeadow Business Estate East
Modderfontein
Gauteng
South Africa
+27 11 451 3700
info.topworx@emerson.com

Asia-Pacific

1 Pandan Crescent
Singapore 128461
+65 6891 7550
info.topworx@emerson.com

Visit www.topworx.com for comprehensive information on our company, capabilities, and products – including model numbers, data sheets, specifications, dimensions, and certifications.



© 2015 TopWorx. All rights reserved. TopWorx™, GO™ Switch and Valvetop™ are all trademarks of TopWorx™. The Emerson logo is a trademark and a service mark of Emerson Electric. Co. © 2014 Emerson Electric Company. All other marks are the property of their respective owners. Information herein – including product specifications – is subject to change without notice.